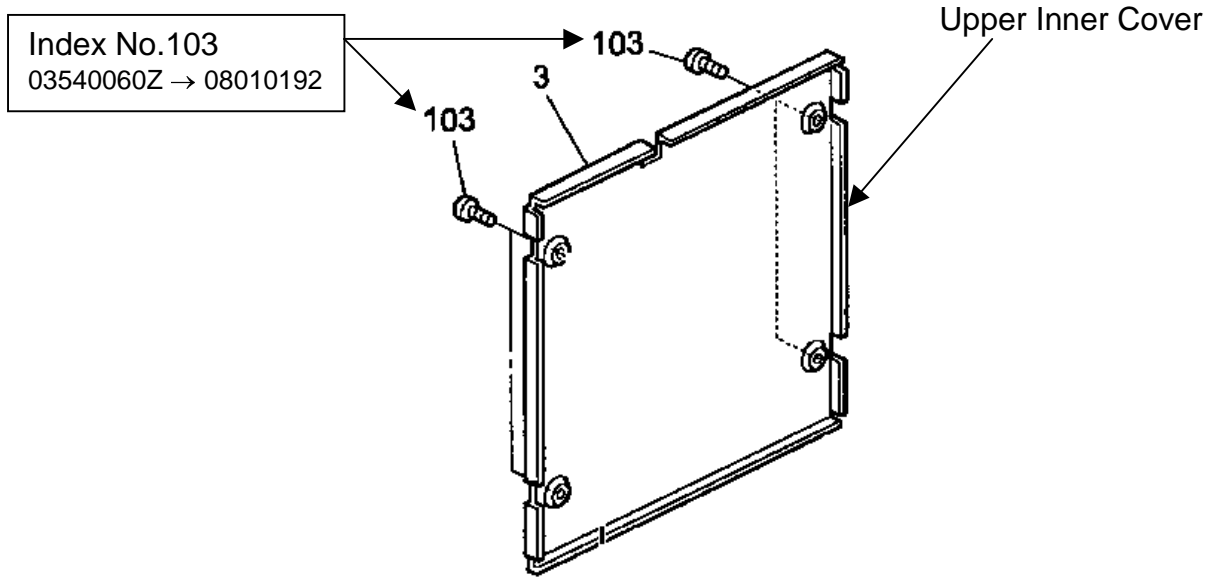


Model: Sorter Stapler for Penguin		Date: 30-Jun-99	No.: MA821001
Modified Article: Philips Truss Head Screw - M4x6		Prepared by: F. Noguchi	
From: Technical Service Dept., GTS Division			
Reason for Modification:	<input type="checkbox"/> Parts catalog correction <input type="checkbox"/> To facilitate assembly <input type="checkbox"/> Part standardization	<input type="checkbox"/> Vendor change <input type="checkbox"/> To improve reliability <input checked="" type="checkbox"/> Other	<input type="checkbox"/> To meet standards ()

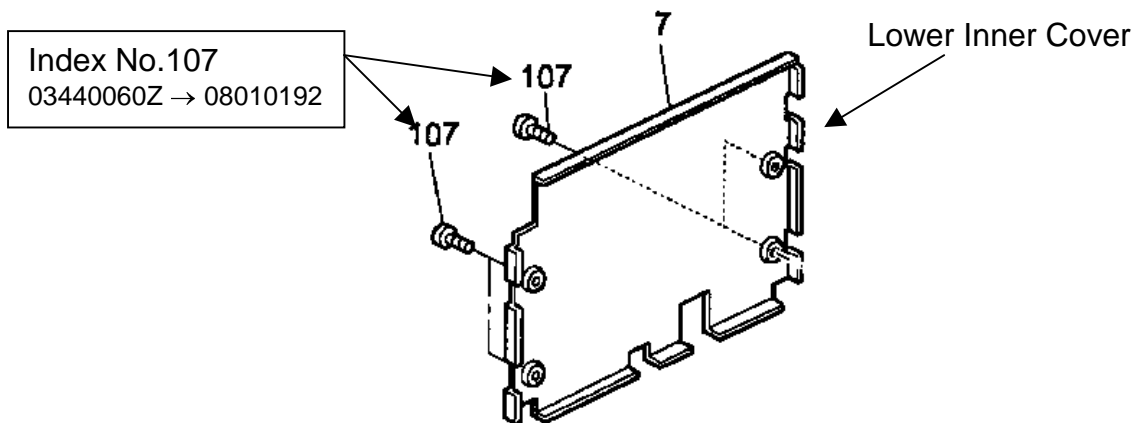
When clearing a paper misfeed, it is not uncommon for the cover screws to slightly scratch the back of the hand. To prevent this, the shape of the tip of the screw has been rounded off.

Old part number	New part number	Description	Q'ty	Int	Page	Index	Note
03540060Z		Philips Truss Head Screw - M4x6	n-n	X/O	29	103	
	08010192	Bind Screw - M4x8			31	107	

Page 19



Page 20



Model: Sorter Stapler for Penguin

Date: 30-Jun-99

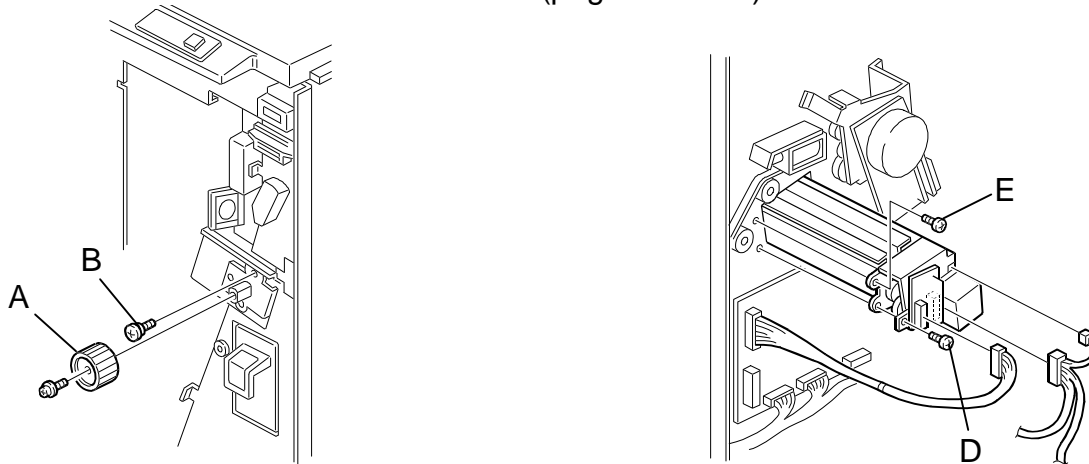
No.: MA821001

MODEL NAME	V/Hz	DESTINATION	CODE	SERIAL NUMBER
Ges/Savin ST31	120/60	U.S.A.	A821 – 15	2B99060001
Ricoh ST31	120,230/50,60	U.S.A. Europe	A821 – 17	A7999060001
	230/50	Europe, etc.		
NRG ST31	120/60	U.S.A., Canada, etc	A821 – 22	AW89060001
	230/50	Europe, etc.		
Infotec ST31	230/50	Europe	A821 – 26	3R8079xxxx
Ges/Savin ST31P	120/60	U.S.A.	A821 – 55	2B9907xxxx
Ricoh ST318P	120/60	U.S.A., etc.	A821 – 57	A799907xxxx
NRG ST31P	120/60	U.S.A., Canada, etc	A821 – 62	AW99060001
Infotec ST31P	230/60	Europe	A821 – 66	3R90690001
Ricoh ST31P	230/50	Europe1	A821 – 67	A7999060064

Model: Sorter Stapler for Penguin		Date: 15-Jul-99	No.: MA821002
Modified Article: Punch Unit & Punch Drive Bracket (2 Holes only)		Prepared by: H.K.	
From: Technical Service Dept., GTS Division			
Reason for Modification:	<input type="checkbox"/> Parts catalog correction <input type="checkbox"/> To facilitate assembly <input type="checkbox"/> Part standardization	<input type="checkbox"/> Vendor change <input checked="" type="checkbox"/> To improve reliability <input type="checkbox"/> Other	<input type="checkbox"/> To meet standards ()

Old part number	New part number	Description	Q'ty	Int	Page	Index	Note
A8217110	A8217111	Punch Unit - 2 Holes	1-1	X/X	33	11	*
A6067141	A8217141	Punch Drive Bracket (2 Holes)	1-1	X/X	33	20	*

To prevent the punch unit from becoming distorted, the lower screw for securing the punch unit to the rear side is left un-tightened. If this were not done, the edges of the punched holes in thick paper (such as 128 g/m²) will not be clean. The note about the lower screw is mentioned in the service manual (page A821-52) as follows:

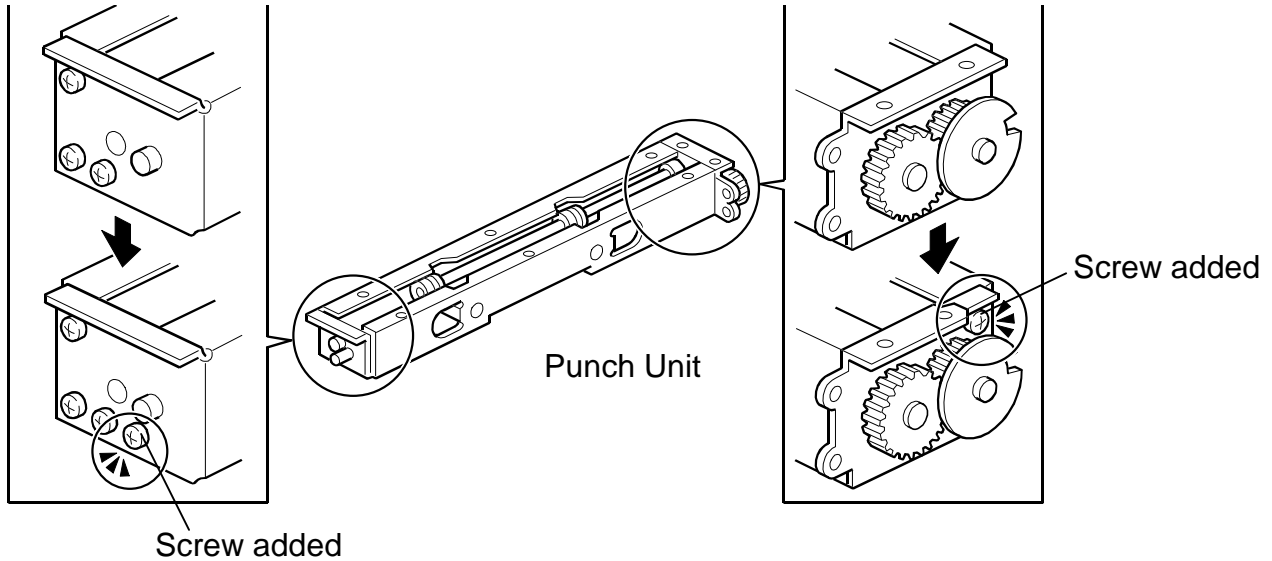


NOTE: To prevent the punch unit from being distorted, re-assemble the parts as follows:

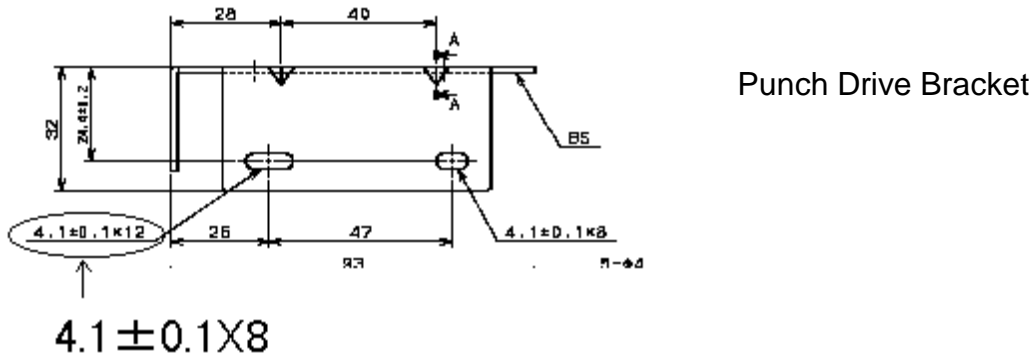
- 1) Push in the punch unit and install the shoulder screw [B].
- 2) Install the knob [A] (1 screw).
- 3) Temporarily secure the lower screw [D] for the rear.
- 4) Secure the upper screw [E] for the rear.
- 5) Set the connectors.
- 6) Leave the lower screw [D] un-tightened.

Model: Sorter Stapler for Penguin	Date: 15-Jul-99	No.: MA821002
-----------------------------------	-----------------	---------------

To reduce the possibility of distortion of the punch unit, two additional screws have been added to the punch unit and the configuration of the punch unit has been changed.



Due to the above punch unit modification, the screw position of the punch drive bracket have been changed. The length of the oval hole in the punch drive bracket has been changed from 8 mm to 12 mm.



NOTE:

As the new punch drive bracket can be installed in the old machine physically, the old bracket will no longer be supplied. When the new punch unit is installed in the old machine, it is necessary to replace the punch drive bracket with a new one together with the new punch unit.

Model: Sorter Stapler for Penguin

Date: 15-Jul-99

No.: MA821002

MODEL NAME	V/Hz	DESTINATION	CODE	SERIAL NUMBER
Ges/Savin ST31	120/60	U.S.A.	A821 – 15	
Ricoh ST31	120,230/50,60	U.S.A. Europe	A821 – 17	
	230/50	Europe, etc.		
NRG ST31	120/60	U.S.A., Canada, etc	A821 – 22	
	230/50	Europe, etc.		
Infotec ST31	230/50	Europe	A821 – 26	
Ges/Savin ST31P	120/60	U.S.A.	A821 – 55	
Ricoh ST318P	120/60	U.S.A., etc	A821 – 57	
NRG ST31P	120/60	U.S.A., Canada, etc	A821 – 62	AW99060001
Infotec ST31P	230/60	Europe	A821 – 66	3R90590001
Ricoh ST31P	230/50	Europe	A821 – 67	A7999060064